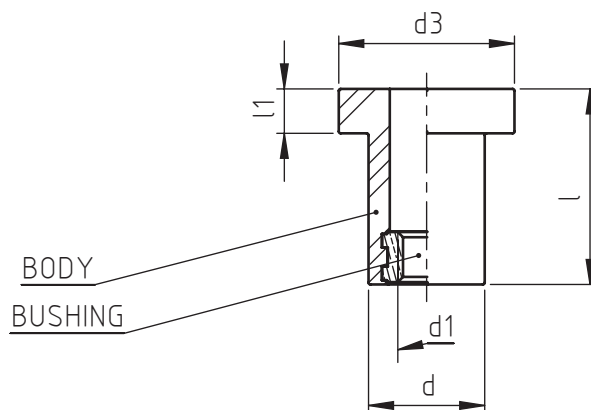


Application: boxed or tubular parts, fragile materials, plastic sheets and other materials.  
 Characteristics: anti-vibrating, sound absorbing, resistant to chemical agents, electrically insulating.  
 Assembly: place the insert on the hole. Assembly and deformation of the insert are achieved by screwing. No special tool is required.



code	grip	l	d1	d	d3	l1	Ø hole
RN03 040 T110	0,5 ÷ 4,0	12,5	M 3	7,9	11,0	1,4	8,0 ÷ 8,3
RN04 040 T110	0,5 ÷ 4,0	12,5	M 4	7,9	11,0	1,4	8,0 ÷ 8,3
RN05 050 T127	0,5 ÷ 5,0	14,0	M 5	9,6	12,7	0,9	9,7 ÷ 9,9
RN05 060 T190	0,8 ÷ 6,0	18,0		9,6	19,0	2,0	9,7 ÷ 9,9
RN05 110 T140	8,0 ÷ 11,0	21,5		9,6	14,0	0,9	9,7 ÷ 9,9
RN05 160 T140	8,0 ÷ 16,0	26,0		9,6	14,0	1,3	9,7 ÷ 9,9
RN05 300 T140	20,0 ÷ 30,0	40,0		9,6	14,0	1,3	9,7 ÷ 9,9
RN06 030 T160	0,5 ÷ 3,0	16,0	M 6	12,7	16,0	1,3	12,8 ÷ 13,0
RN06 050 T190	0,5 ÷ 5,0	21,0		12,7	19,0	4,7	12,8 ÷ 13,0
RN06 110 T163	6,0 ÷ 11,0	26,5		12,7	16,3	2,0	12,8 ÷ 13,0
RN08 040 T221	0,5 ÷ 4,0	18,0	M 8	15,9	22,1	3,2	16,0 ÷ 16,2
RN08 090 T221	4,0 ÷ 9,0	28,0		15,9	22,1	5,7	16,0 ÷ 16,2

Non binding dimensions, expressed in mm.  
 Dimensional deviations, on EPDM body, do not affect final technical specification.

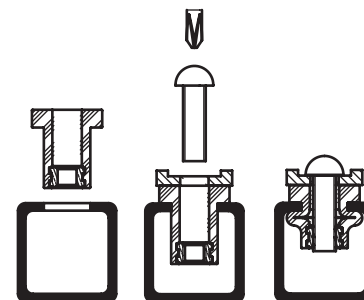
Prepare the application hole without sharp edges or residuals.

Standard
  On demand

Material: body - EPDM  
 bushing - brass  
 Thread d1: ISO 6H metric  
 Example: Tubular rubber threaded insert,  
 M 6 threaded, grip 0,5 ÷ 5 mm:

RN06 050 T190

Assembly method



SPECIALINSERT.COMMITS ITSELF TO CONTINUOUSLY IMPROVE ITS PRODUCTS. IT RESERVES THE RIGHT TO CHANGE THEIR TECHNICAL AND STRUCTURAL CHARACTERISTICS WITHOUT PRIOR NOTICE. ALL RIGHTS ARE RESERVED AND THE DUPLICATE, EVEN PARTIAL, OF THESE DOCUMENTS, AS WELL AS ITS DISTRIBUTION TO THIRD PARTIES, ARE FORBIDDEN, UNLESS OTHERWISE AND EXPRESSLY AUTHORIZED BY SPECIALINSERT.

EPDM technical characteristics:

COMPATIBLE	NON COMPATIBLE
Glycol-based fluids	Mineral fluids
Sodium and potassium solutions	Aromatic hydrocarbons
Organic and inorganic acids	Gases
Oils and silicon fats	
Radiations	
Phosphorous solutions	
Warm water	
Steam	
Oxygen	
Ozone	
Temperature range: -50 ÷ 150 °C ( peak level+200 °C )	

The mentioned characteristics are approximate and not binding.

SPECIALINSERT, COMMITS ITSELF TO CONTINUOUSLY IMPROVE ITS PRODUCTS. IT RESERVES THE RIGHT TO CHANGE THEIR TECHNICAL AND STRUCTURAL CHARACTERISTICS WITHOUT PRIOR NOTICE. ALL RIGHTS ARE RESERVED AND THE DUPLICATION, EVEN PARTIAL, OF THESE DOCUMENTS, AS WELL AS ITS DISTRIBUTION TO THIRD PARTIES ARE FORBIDDEN, UNLESS OTHERWISE AND EXPRESSLY AUTHORIZED BY SPECIALINSERT.