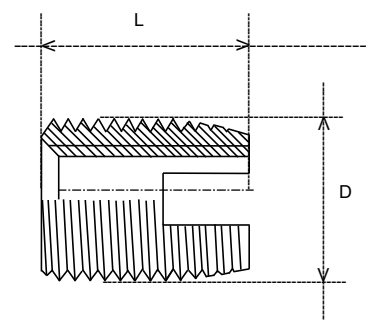




Insert auto-taroudant fendu du modèle ES
Selftapping slotted insert type ES

Modèle 009
Type 009

| N° d'article: | Filetage intérieur: | L: | D: | Ø trou: | Matière: |
|---------------|---------------------|------|------------|-----------|-----------------------------|
| Article Nr: | Internal thread: | | | Hole Ø: | Material: |
| 009 256 061 | M2,5 | 6mm | 4,5*0,5mm | 4,0-4,3mm | Ac zn bl/St zn pl |
| 009 306 01 | M3 | 6mm | 5*6,0mm | 4,6-4,8mm | Laiton/brass |
| 009 306 061 | M3 | 6mm | 5*6,0mm | 4,6-4,8mm | Ac zn bl/St zn pl |
| 009 306 005 | M3 | 6mm | 5*6,0mm | 4,6-4,8mm | Ac zn jaune/St zn yellow pl |
| 009 306 03 | M3 | 6mm | 5*6,0mm | 4,6-4,8mm | Inox303/Stainless st303 |
| 009 408 01 | M4 | 8mm | 6,5*0,75mm | 5,8-6,2mm | Laiton/brass |
| 009 408 061 | M4 | 8mm | 6,5*0,75mm | 5,8-6,2mm | Ac zn bl/St zn pl |
| 009 408 005 | M4 | 8mm | 6,5*0,75mm | 5,8-6,2mm | Ac zn jaune/St zn yellow pl |
| 009 408 03 | M4 | 8mm | 6,5*0,75mm | 5,8-6,2mm | Inox303/Stainless st303 |
| 009 408 07 | M4 | 8mm | 6,5*0,75mm | 5,8-6,2mm | Inox316/Stainless st316 |
| 009 508 061 | M5 | 8mm | 8*1,00mm | 7,1-7,6mm | Ac zn bl/St zn pl |
| 009 508 005 | M5 | 8mm | 8*1,00mm | 7,1-7,6mm | Ac zn jaune/St zn yellow pl |
| 009 510 01 | M5 | 10mm | 8*1,00mm | 7,1-7,6mm | Laiton/brass |
| 009 510 061 | M5 | 10mm | 8*1,00mm | 7,1-7,6mm | Ac zn bl/St zn pl |
| 009 510 005 | M5 | 10mm | 8*1,00mm | 7,1-7,6mm | Ac zn jaune/St zn yellow pl |
| 009 510 03 | M5 | 10mm | 8*1,00mm | 7,1-7,6mm | Inox303/Stainless st303 |
| 009 510 07 | M5 | 10mm | 8*1,00mm | 7,1-7,6mm | Inox316/Stainless st316 |
| 009 608 01 | M6 | 8mm | 9*1,00mm | 8,1-8,6mm | Laiton/brass |
| 009 608 061 | M6 | 8mm | 9*1,00mm | 8,1-8,6mm | Ac zn bl/St zn pl |
| 009 608 005 | M6 | 8mm | 9*1,00mm | 8,1-8,6mm | Ac zn jaune/St zn yellow pl |
| 009 610 01 | M6 | 10mm | 9*1,00mm | 8,1-8,6mm | Laiton/brass |
| 009 610 061 | M6 | 10mm | 9*1,00mm | 8,1-8,6mm | Ac zn bl/St zn pl |
| 009 610 005 | M6 | 10mm | 9*1,00mm | 8,1-8,6mm | Ac zn jaune/St zn yellow pl |
| 009 612 01 | M6 | 12mm | 9*1,00mm | 8,1-8,6mm | Laiton/brass |
| 009 612 061 | M6 | 12mm | 9*1,00mm | 8,1-8,6mm | Ac zn bl/St zn pl |
| 009 612 005 | M6 | 12mm | 9*1,00mm | 8,1-8,6mm | Ac zn jaune/St zn yellow pl |
| 009 612 03 | M6 | 12mm | 9*1,00mm | 8,1-8,6mm | Inox303/Stainless st303 |
| 009 614 01 | M6 | 14mm | 10*1,50mm | 8,6-9,4mm | Laiton/brass |
| 009 614 061 | M6 | 14mm | 10*1,50mm | 8,6-9,4mm | Ac zn bl/St zn pl |
| 009 614 005 | M6 | 14mm | 10*1,50mm | 8,6-9,4mm | Ac zn jaune/St zn yellow pl |
| 009 614 03 | M6 | 14mm | 10*1,50mm | 8,6-9,4mm | Inox303/Stainless st303 |
| 009 614 07 | M6 | 14mm | 10*1,50mm | 8,6-9,4mm | Inox316/Stainless st316 |



Juno Industries
Stoktevijver 22
9930 Lievegem
Belgique
www.junoindustries.fr

Acier 1.0718 trempé & zingué blanc,
 contient jusqu'à 0,35% de plomb

Steel 1.0718 zinc plated, contains up
 to 0,35% lead

Tél France: +33-9.75.18.16.09
Tel BeNeLux: +32-9/395.95.90
Adresse mail:
co@junoindustries.fr
co@junoindustries.eu

| N° d'article: | Filetage intérieur: | L: | D: | Ø trou: | Matière: |
|---------------|---------------------|------|-----------|-------------|-----------------------------|
| Article Nr: | Internal thread: | | | Hole Ø: | Material: |
| 009 812 01 | M8 | 12mm | 12*1,50mm | 10,8-11,4mm | Laiton/brass |
| 009 812 061 | M8 | 12mm | 12*1,50mm | 10,8-11,4mm | Ac zn bl/St zn pl |
| 009 812 005 | M8 | 12mm | 12*1,50mm | 10,8-11,4mm | Ac zn jaune/St zn yellow pl |
| 009 815 01 | M8 | 15mm | 12*1,50mm | 10,8-11,4mm | Laiton/brass |
| 009 815 061 | M8 | 15mm | 12*1,50mm | 10,8-11,4mm | Ac zn bl/St zn pl |
| 009 815 005 | M8 | 15mm | 12*1,50mm | 10,8-11,4mm | Ac zn jaune/St zn yellow pl |
| 009 815 03 | M8 | 15mm | 12*1,50mm | 10,8-11,4mm | Inox303/Stainless st303 |
| 009 815 07 | M8 | 15mm | 12*1,50mm | 10,8-11,4mm | |
| 009 916 01 | M10 | 15mm | 14*1,50mm | 12,6-13,4mm | Laiton/brass |
| 009 916 061 | M10 | 15mm | 14*1,50mm | 12,6-13,4mm | Ac zn bl/St zn pl |
| 009 916 005 | M10 | 15mm | 14*1,50mm | 12,6-13,4mm | Ac zn jaune/St zn yellow pl |
| 009 918 01 | M10 | 18mm | 14*1,50mm | 12,6-13,4mm | Laiton/brass |
| 009 918 061 | M10 | 18mm | 14*1,50mm | 12,6-13,4mm | Ac zn bl/St zn pl |
| 009 918 005 | M10 | 18mm | 14*1,50mm | 12,6-13,4mm | Ac zn jaune/St zn yellow pl |
| 009 918 03 | M10 | 18mm | 14*1,50mm | 12,6-13,4mm | Inox303/Stainless st303 |
| 009 918 07 | M10 | 18mm | 14*1,50mm | 12,6-13,4mm | Inox316/Stainless st316 |
| 009 926 061 | M10 | 18mm | 16*1,50mm | 14,6-15,4mm | Ac zn bl/St zn pl |
| 009 926 005 | M10 | 18mm | 16*1,50mm | 14,6-15,4mm | Ac zn jaune/St zn yellow pl |
| 009 922 01 | M12 | 22mm | 16*1,50mm | 14,6-15,4mm | Laiton/brass |
| 009 922 061 | M12 | 22mm | 16*1,50mm | 14,6-15,4mm | Ac zn bl/St zn pl |
| 009 922 005 | M12 | 22mm | 16*1,50mm | 14,6-15,4mm | Ac zn jaune/St zn yellow pl |
| 009 922 03 | M12 | 22mm | 16*1,50mm | 14,6-15,4mm | Inox303/Stainless st303 |
| 009 922 07 | M12 | 22mm | 16*1,50mm | 14,6-15,4mm | Inox316/Stainless st316 |
| 009 924 061 | M14 | 24mm | 18*1,50mm | 16,6-17,4mm | Ac zn bl/St zn pl |
| 009 952 061 | M16 | 22mm | 20*1,50mm | 18,8-19,4mm | Ac zn bl/St zn pl |
| 009 952 005 | M16 | 22mm | 20*1,50mm | 18,8-19,4mm | Ac zn jaune/St zn yellow pl |
| 009 952 03 | M16 | 22mm | 20*1,50mm | 18,8-19,4mm | Inox303/Stainless st303 |
| 009 952 07 | M16 | 22mm | 20*1,50mm | 18,8-19,4mm | Inox316/Stainless st316 |
| 009 207 061 | M20 | 27mm | 26*1,50mm | 24,8-25,4mm | Ac zn bl/St zn pl |
| 009 207 005 | M20 | 27mm | 26*1,50mm | 24,8-25,4mm | Ac zn jaune/St zn yellow pl |
| 009 207 07 | M20 | 27mm | 26*1,50mm | 24,8-25,4mm | Inox316/Stainless st316 |
| 009 240 061 | M24 | 30mm | 30*1,50mm | 28,8-30,4mm | Ac zn bl/St zn pl |
| 009 240 005 | M24 | 30mm | 30*1,50mm | 28,8-30,4mm | Ac zn jaune/St zn yellow pl |

