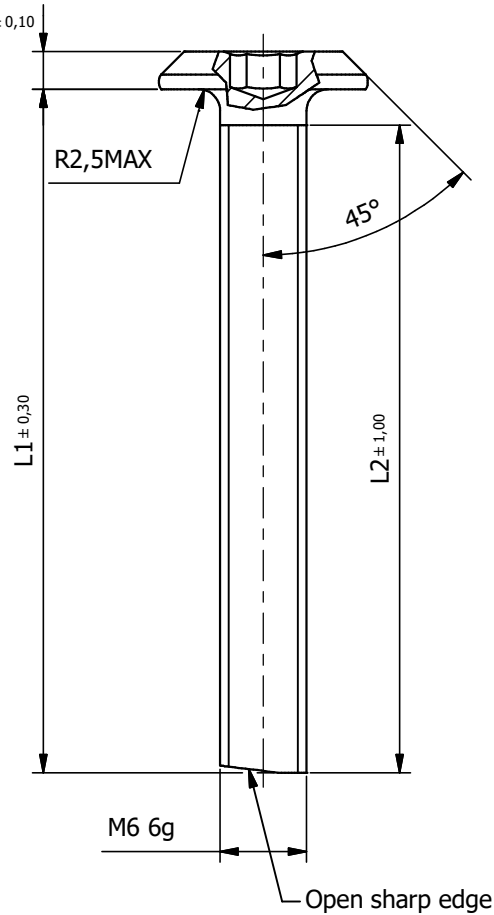
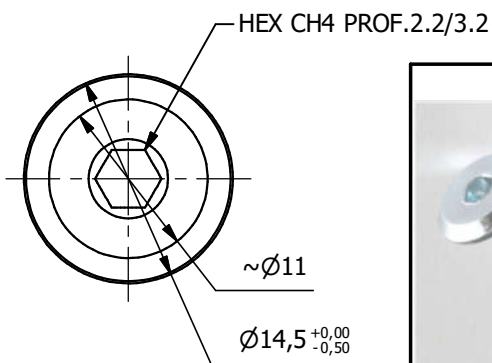


Veillez compléter le code 9369 par la dimension du filetage et la finition. Par exemple: 9369 620 001; M6X20mm en ac zn bl
 acier zingué blanc=001 (standard)
 acier nickelé=003 (sur demande)
 acier bruni=007 (sur demande)
 acier zingué jaune=002 (sur demande)
 acier zingué noir=008 (sur demande)
 acier zingué blanc en dureté 4.8 est le standard, dureté 8.8 est sur demande



VIS/SCREW	L1	L2
M6X12	12	/
M6X15	15	/
M6X16	16	/
M6X17	17	/
M6X18	18	/
M6X20	20	/
M6X25	25	/
M6X26	26	/
M6X27	27	/
M6X30	30	/
M6X32	32	/
M6X35	35	/
M6X38	38	/
M6X40	40	/
M6X43	43	/
M6X44	44	40
M6X45	45	40
M6X47	47	40
M6X50	50	40
M6X55	55	40
M6X60	60	40
M6X63	63	40
M6X65	65	40
M6X70	70	40
M6X75	75	40
M6X76	76	40
M6X80	80	40
M6X85	85	40
M6X90	90	40
M6X95	95	40
M6X100	100	40
M6X105	105	40
M6X110	110	40
M6X115	115	40
M6X120	120	40



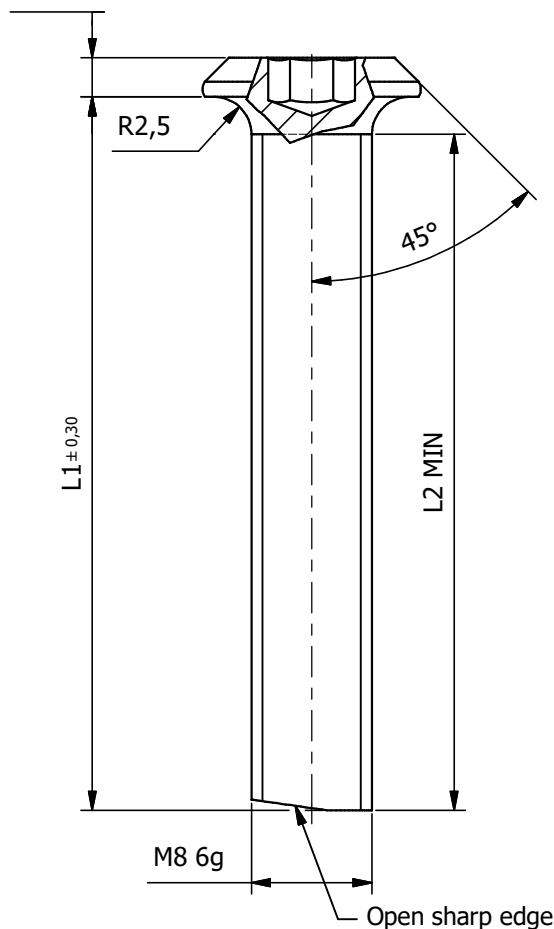
Please complete the code 9369 with the thread size and the finishing code: For exemple 9369 620 001 M6X20 steel blue zinc plated

steel blue zinc plated = 001 (on request)
 steel nickel plated = 003 (on request)
 steel black zinc plated = 008 (on request)

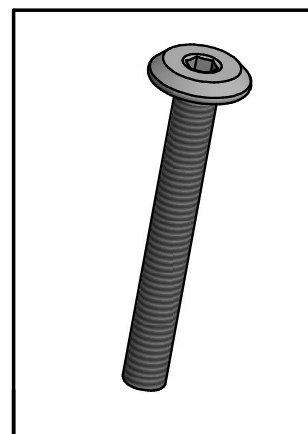
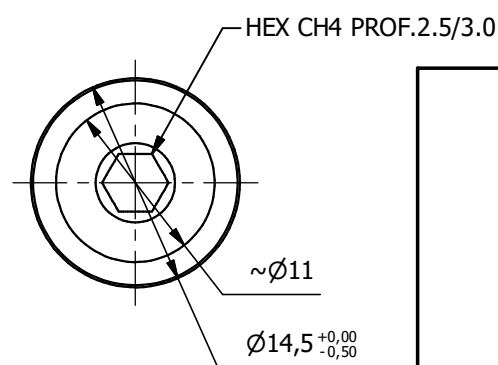
steel brown colored = 007 (on request)
 steel yellow
 steel zinc plated = 002 (on request)

steel blue zinc plating in class 4.8 is the standard, other finishings and hardness class 8.8 on demand.

Veillez completer le code 9369 par la dimension du filetage et la finition. Par exemple: 9369 820 001; M8X20mm en ac zn bl
 acier zingué blanc=001 (standard)
 acier nickelé=003 (sur demande)
 acier bruni=007 (sur demande)
 acier zingué jaune=002 (sur demande)
 acier zingué noire=008 (sur demande)
 acier zingué blanc en dureté 4.8 est le standard, dureté 8.8 est sur demande



VIS/SCREW	L1	L2
M8X15	15	/
M8X16	16	/
M8X20	20	/
M8X25	25	/
M8X30	30	/
M8X35	35	/
M8X40	40	/
M8X45	45	40
M8X50	50	40
M8X55	55	40
M8X60	60	40
M8X65	65	40
M8X70	70	40
M8X75	75	40
M8X80	80	40
M8X85	85	40
M8X90	90	40
M8X95	95	40
M8X100	100	40
M8X105	105	40
M8X110	110	40
M8X115	115	40
M8X120	120	40



Please complete the code 9369 with the thread size and the finishing code: For exemple 9369 820 001 M8X20 steel blue zinc plated
 steel blue zinc plated = 001 (standard)
 steel nickel plated = 003 (on request)
 steel brown colored = 007 (on request)
 steel yellow zinc plated = 002 (on request)
 steel black zinc plated = 008 (on request)
 steel blue zinc plating in class 4.8 is the standard, other finishings and hardness class 8.8 on demand.